

# ELECTROMECHANICAL UNDERGROUND OPERATOR FOR SWING GATES

## TOPO

EN TESTED\_24Vdc\_Encoder



For Swing Gates up to 3,5 meters per leaf.

- \_ Reduced size, water resistant IP67, compact,
- \_ Smart Self learning of the open/close travel and slow down distances.
- \_ Safety. Obstacle detection.
- \_ Extremely powerful.
- \_ Quiet in operation.



## TOPO KITS

### TOPO 1

#### \_Kit for a double leaf Gate

- Operator BTOPO (2 pcs.)
- Base box coated in Zinc NBBOX (2 pcs.)
- Control Panel ABC2MAG (1 pc.)
- Pair of photocells LECP (1 pc.)
- Receiver RTPSH250 (1pc.)
- Transmitter SOL2 (2 pcs.)
- Aerial antenna KRAET (1 pc.)

\* Kit example. Other kit combinations on request.



#### \_Optional accesories

Set for opening angle up to 180°

- NBKIT-180 (1pc.)
- Batteries 13A089 (1pc.)

#### \_Other accesories

Keypads, electric locks, flashing lamps, safety edges, magnetic loop detectors, traffic lights,...



13A089  
1 pc.

NBKIT-180  
1 pc.

### KIT TOPO 1



TOPO  
2 pcs.

NBBOX  
2 pcs.

ABC2MAG  
1 pc.

KRAET  
1 pc.

LECP  
1 pc.

SOL2  
2 pcs.

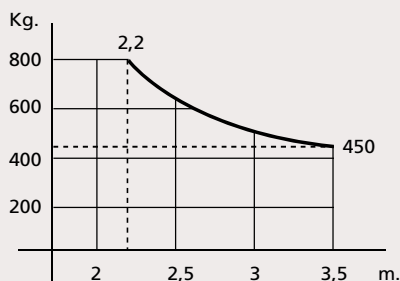
RTPSH250  
1 pc.

## TECHNICAL DATA

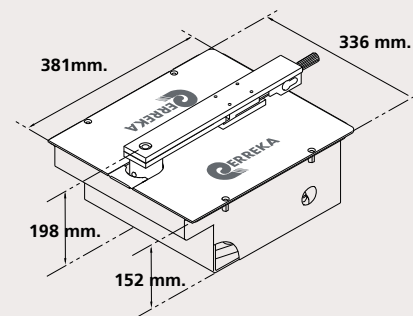
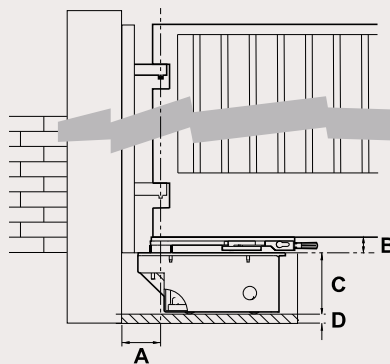
Motor power supply	24Vdc	
Absorbed current	6A	
Absorbed power	144 W	
Torque	380 Nm	
Duty Cycles	80%	
Protection class	IP67	
Opening time 90°	min 16 sec- max 30 sec	
Max. opening angle	110° (180° with optional kit)	
Safety	Encoder	
Operating temperature (°C)	-20° + 70°	
Built-in mechanical stops	In opening and closing	
Self-locking	In opening and closing	
Manual release	Cylinder key	
Operator weight	9,5 kgs.	
Base box weight (with mechanisms)	15 kgs.	

## USE LIMITATION

Max. Gate leaf weight (kg)



Max. Gate leaf lenght (m)



Dimension A: min 60mm / Dimension B: 46mm  
Dimension C: 152mm / Dimension D: 20mm roughly

Orientative values

The shape, the height of the Gate and windy conditions can considerable reduce the values shown in the chart.

It is indispensable, to fit an electric lock for Gate leaves longer than 2,5 m.